

CARBON FIBRE SEARCHLIGHT BRACKET



Airbus H 135, Trakka A800 on Searchlight Bracket

Leading edge mounting hardware made out of carbon fibre

Airborne Technologies develops state-of-the-art alternatives to conventional metal mounts for skid mounted ISR systems. The extremely lightweight CFRP brackets are available in different sizes for all common searchlights and EO/IR sensors, and can be mounted easily, without airframe modifications.

The unique design includes a built-in passive vibration damper to protect the searchlight sensor when it is switched off.

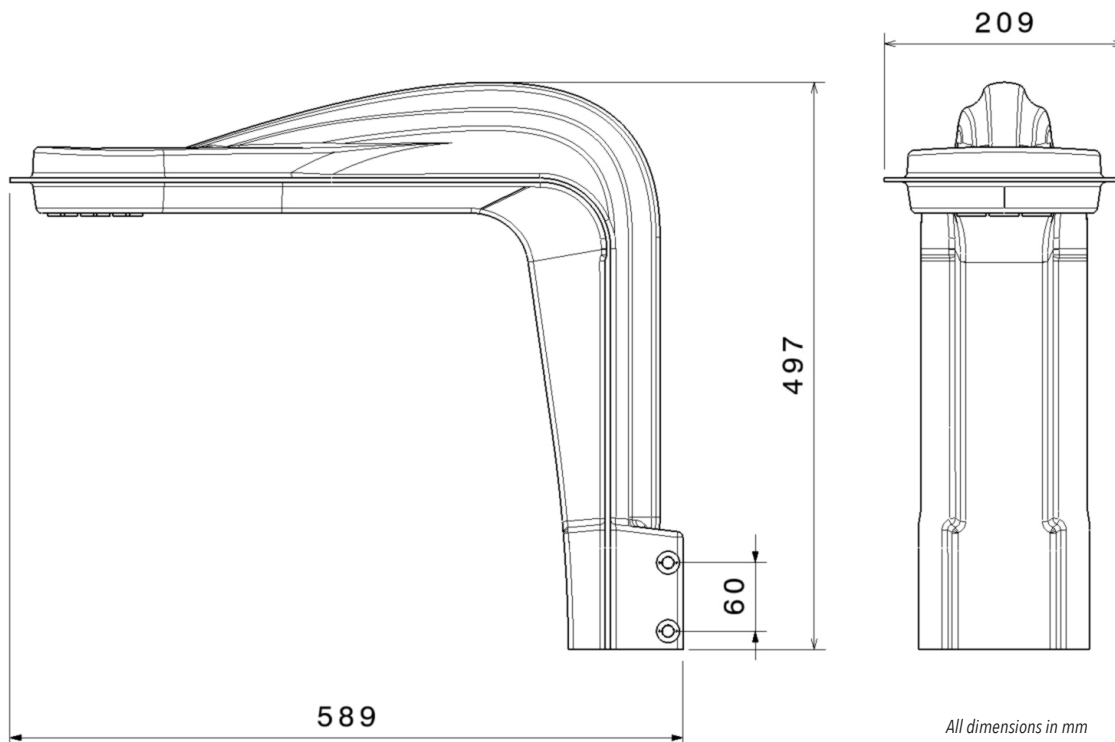
EASA CERTIFIED for:

- ✓ Airbus H 135
- ✓ Airbus H 145

FEATURES of the bracket

- ▶ 70% less weight
- ▶ up to 60% less vibration
- ▶ 100% non-corrosive
- ▶ Non-ITAR





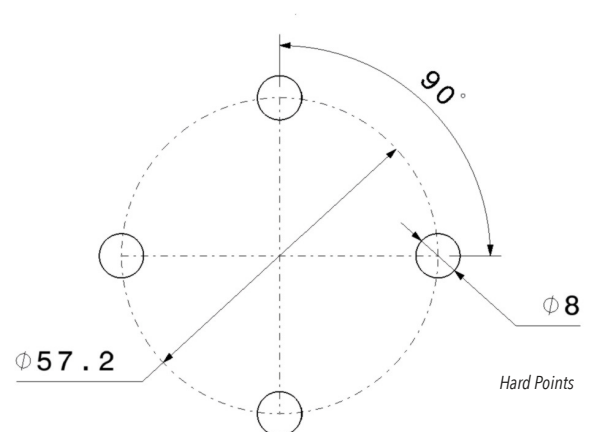
Technical Data:

- Mount Weight: 2,5 kg/5,5 lbs
- Payload Capacity: 44,5 kg/98,1 lbs
- Construction: Carbon Fibre (CFRP)
- No lifetime limit
- Mounts on standard Airbus or Meeker Step
- Status: in production and operational

Mounting

- Left or Right/Rear or Front
- No permanent airframe modifications

Mount is available for different sensors and payloads



EASA Form 1 - Authorised Release Certificate

No special tools required

Form-fit replacement of metal mounts

Scope of delivery (installation kit):

- Bolts
- CFRP Mount
- Adopter plate for searchlight (if necessary)
- Installation assistance on-site

✔ **Suitable for all searchlights eg Trakka, Thommen, Boeing/Spectrolab, etc...**

Airborne Technologies GmbH

Viktor Lang Straße 8
2700 Wiener Neustadt

0043 2622 34718200
office@airbornetechnologies.at
airbornetechnologies.at

EASA Part 21 J approved Design Organisation
EASA Part 21 G approved Production Organisation